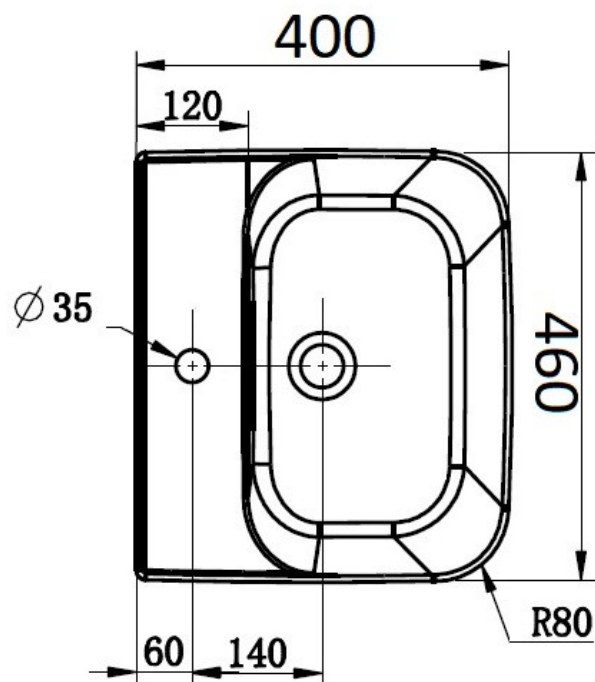
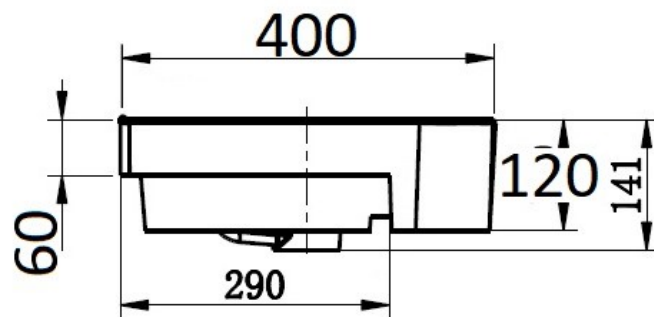


Semi-Recess Basin

| 7130E | Semi Recess Basin

7130E Available in 1 Tap Hole Only



Specifications are shown in millimetres.

Please Note: Specifications and product sizes can be varied by the manufacturer without notice.

Cut-outs for products should be only done with physical product measurements. The above information is indicative only.