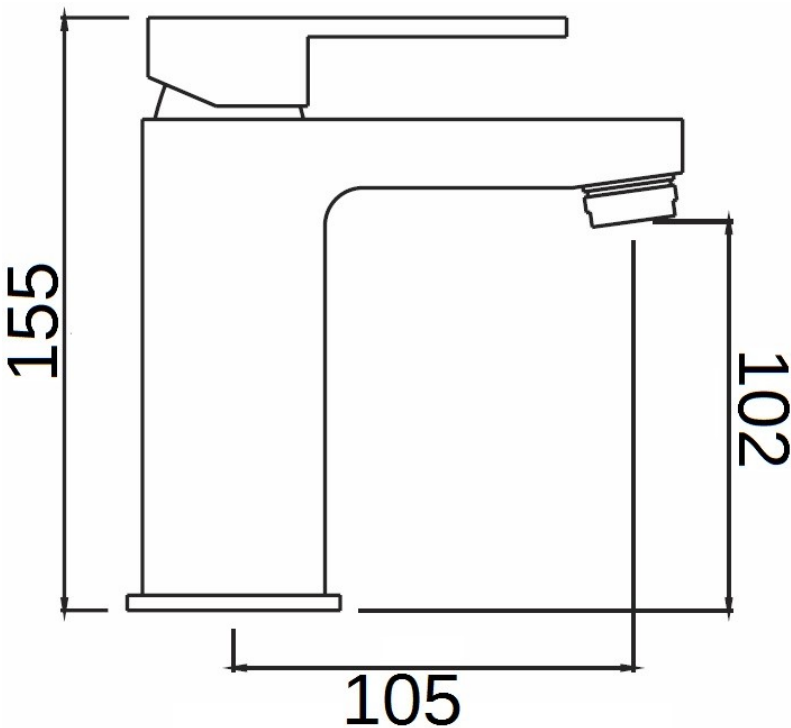


| Tony Basin Mixer | TNB2 |



TNB2 Tony Cast Basin Mixer -
Chrome



Mixer Spec

It is highly recommended an application of sealant at the base of the mixer to ensure a water tight seal.



WELS Reg T37332

Specifications are shown in millimetres.

Please Note: Specifications and product sizes can be varied by the manufacturer without notice. The above information is indicative only.