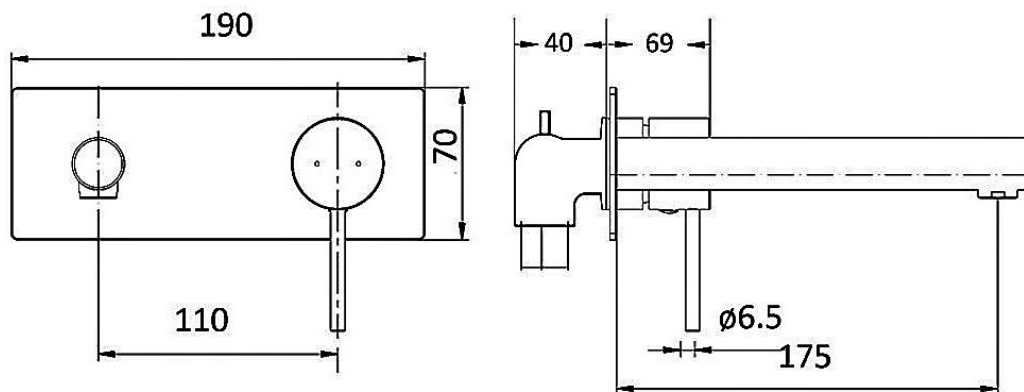




HYB88-601 - Hali Wall Basin  
Mixer - Chrome

HYB88-601BN - Hali Wall Basin  
Mixer - Brushed Nickel

HYB88-601MB - Hali Wall Basin  
Mixer - Matt Black



## HALI WALL BASIN MIXER

## HYB88-601\*

**FINISH:** See Above

**WORKING PRESSURE:** 150-500kpa

**OPERATING TEMPERATURE:** 1°C—80°C

**WELS LICENCE:** 0175

**WELS:** 5 Star 5L Per Min, Reg No. T31844

**CARTRIDGE TYPE:** 35mm Cartridge

**WARRANTY:**

15 Years Cartridge only

7 Year replacement product and parts

2 Year replacement parts and labour

**Finish:** 2 Year replacement Product & parts

**It is highly recommended an application of sealant at the base of the mixer to ensure a water tight seal.**