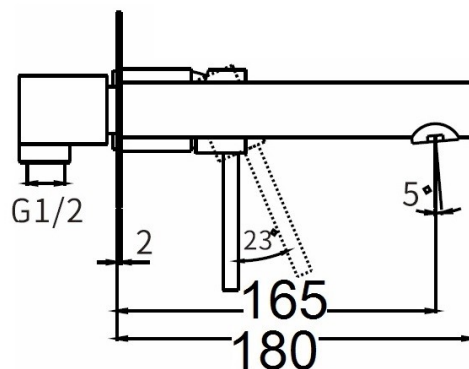
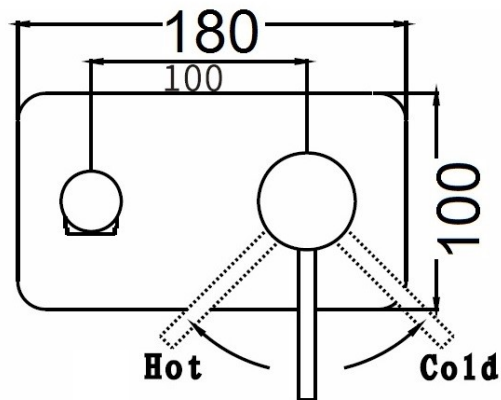




Outlet on Left Hand Side Only



IDEAL WALL MIXER with OUTLET

IDWS1

FINISH: Chrome

WORKING PRESSURE: 150-500kpa

OPERATING TEMPERATURE: 1°C—70°C

WELS LICENCE: 1163

WELS: 5 Star 6L Per Min, Reg No. T38429

CARTRIDGE TYPE: 35mm Cartridge

WARRANTY:

10 Years Cartridge only

5 Year replacement product and parts

1 Year replacement parts and labour