

Dear Customer,  
 Congratulations and thank you for purchasing an Arto Design product.



**Prior to installation it is important to unpack and inspect all items to be installed to ensure that no damage has occurred during transit *and* that the item is correct before installation. If the item is incorrect or there are any visible defects DO NOT PROCEED WITH INSTALLATION. Immediately contact the store the item was purchased from. No claims will be recognized after installation.**

## Please leave copy with client for information and cleaning instructions.

### Installation Instructions

1. Installation should only be carried out by a licensed tradesperson.
2. Remove doors and drawers (if necessary) and store in a safe place.
3. Check that the wall is level and plumb both vertically and horizontally (Fig 1 & 2). **Your vanity must be level otherwise it may twist and your doors and drawers will be out of alignment. Pack out where necessary.**
4. Fit legs / kicker to cabinet or check for sufficient support for wall hung vanity units.
5. Mark and drill base and back of vanity for water and waste pipes.
- \*6. Position and fix vanity to wall and check that vanity unit is level and square (Fig 3 & 4)
- \*The vanity unit is to be installed at minimum 300mm from any wet area such as baths, spas or showers.**

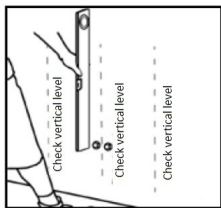


Fig.1

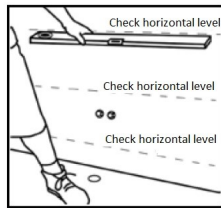


Fig.2

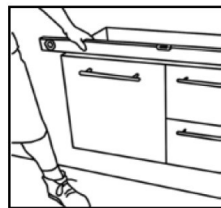


Fig.3

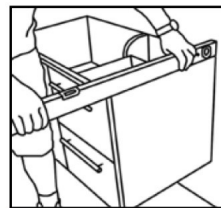
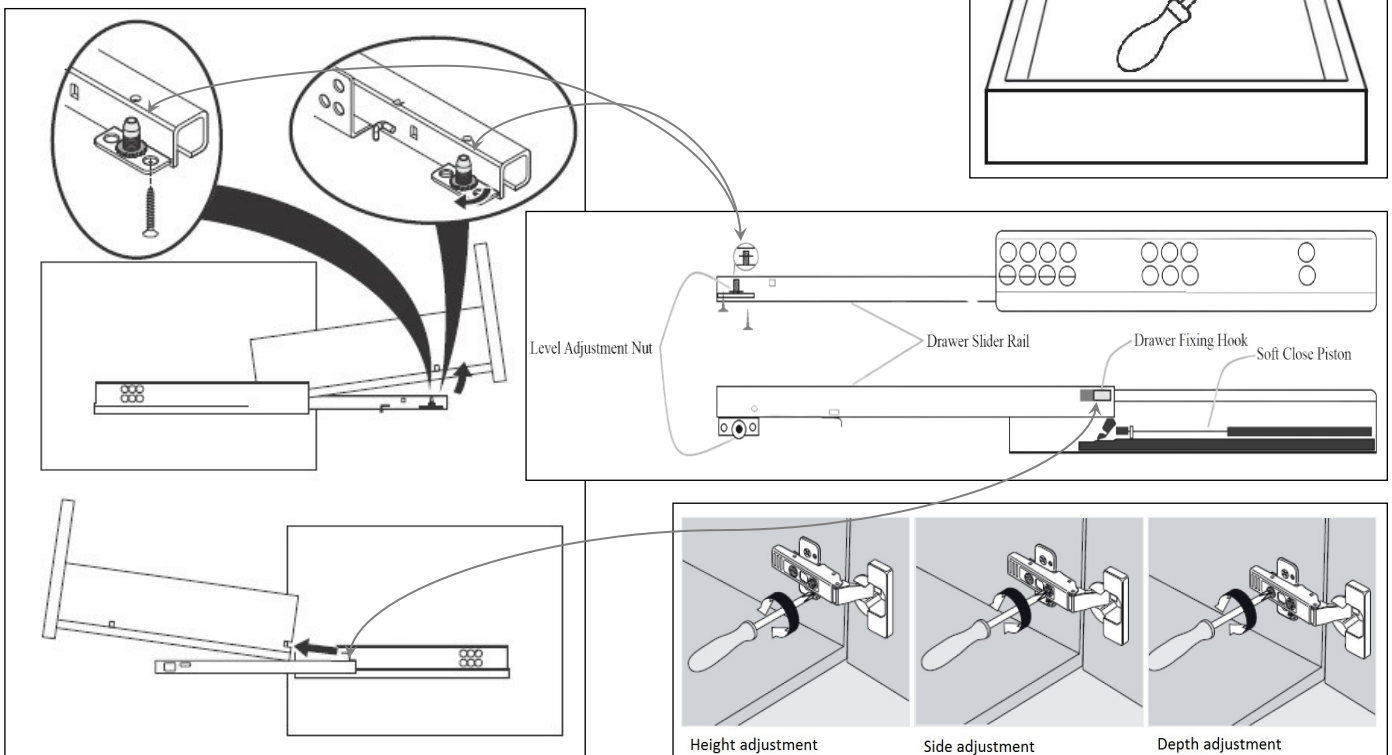
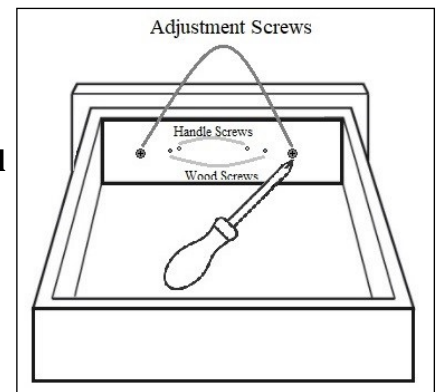


Fig.4

- \*\*7. Re-attach drawers and doors and adjust as required.**  
**\*\* Installation is not complete until Drawers and Doors adjustments are completed. Drawer and Door alignment are not covered under warranty.**



**Installation Instructions—Continued**

8. Fit tapware and waste to vanity top or basin. **(as per Mixer & Waste Installation Instructions)**
9. Completely silicon top to cabinet using mould resistant silicone. All areas need to be sealed to prevent water penetration. The cabinet is water resistant – **Not waterproof.**
10. When a separate basin is fitted to a stone top it is essential that the basin is completely sealed to the top to prevent any water penetration. **(as per Basin Installation Instructions)**
11. Completely seal the cabinet using a flexible silicone sealant to the wall.
12. When installing with a kicker either pack up the kicker off the floor or completely seal the cabinet using flexible silicone sealant to the floor to prevent any water penetration into the cabinet.
13. Connect tapware and waste and test accordingly.

**Cleaning and Maintenance**

**Cabinets** – Use warm soapy water and a soft cloth and dry immediately.

**Polymarble Top** - Use warm soapy water and a soft cloth and dry immediately. Surface scratches will buff out using a quality vanity polish or Cultured Marble Cleanser.

**Vitreous China Top** - Use warm soapy water and a soft cloth and dry immediately.

**Stone Top** – Use warm water and a soft cloth and dry immediately. For extra stubborn spills we recommend using a non-abrasive cream cleanser and if necessary a non-abrasive soft bristle brush.

**Rock Top** – Use warm water and a soft cloth and dry immediately. For extra stubborn spills we recommend using a non-abrasive cream cleanser.

WARRANTY		
<b>Vanities &amp; Basins</b>	<b>1 YEAR Labour for product fault. Does not include door and drawer adjustment. Does not include instances where faulty / damaged goods have already been installed, or water leak causing damage to cabinetry.</b>	
Vanity (Cabinet)	5/1 Years	5 Year Parts and Product
Vanity (Including Top)		First Year Labour

**Significant reasons why vanities show water damage are:**

**Poorly or incorrectly installed Tapware and/or wastes and traps (these should be appropriately tested and checked after one week of regular use to ensure leaks have not occurred). Installation too close to heavy wet areas, such as Shower Cubicle, Spa, or Bath (see clause \*6 in installation instructions). Also, leaving wet objects on top of vanities, e.g., towels, buckets, or bowls with water (or other fluid) in them. All Arto Vanities are made from water-resistant products; they can handle everyday use but must be kept clean and free of excess water.**