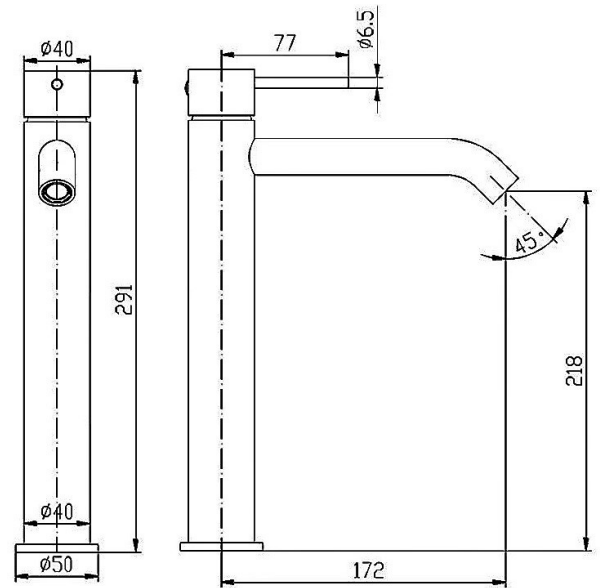




HYB88-202 - Hali High Rise Basin Mixer - Chrome



HYB88-202BN - Hali High Rise Basin Mixer - Brushed Nickel



HYB88-202MB - Hali High Rise Basin Mixer - Matt Black



HYB88-201BG - Hali High Rise Basin Mixer - Brushed Gold



HYB88-202GM - Hali High Rise Basin Mixer - Gunmetal



## HALI HIGH RISE BASIN MIXER

## HYB88-202\*

**FINISH:** See Above

**WORKING PRESSURE:** 150-500kpa

**OPERATING TEMPERATURE:** 1°C—80°C

**WELS LICENCE:** 0175

**WELS:** 5 Star 6L Per Min, Reg No. T31846

**CARTRIDGE TYPE:** 25mm Cartridge

**WARRANTY:**

15 Years Cartridge only

7 Year replacement product and parts

2 Year replacement parts and labour

**Finish:** 2 Year replacement Product & parts

**It is highly recommended an application of sealant at the base of the mixer to ensure a water tight seal.**