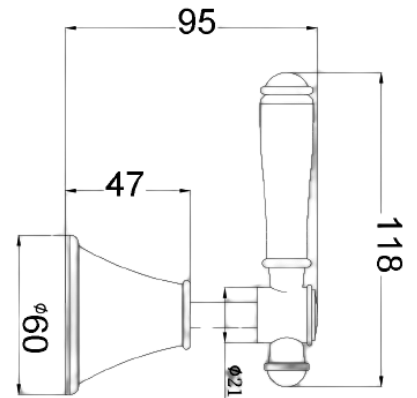




PCK90NZ02 - Clasco Wall Stops
- Chrome



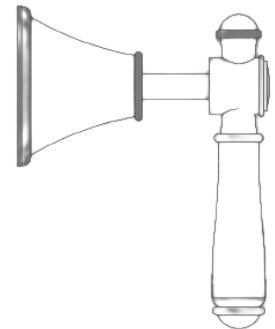
PCK90NZ02BN - Clasco Wall Stops
- Brushed Nickel



PCK90NZ02BG - Clasco Wall Stops
- Brushed Gold



PCK90NZ02MB - Clasco Wall Stops
- Matt Black



CLASICO WALL STOPS

PCK90NZ02*

FINISH: See Above

- 1/4 Turn Ceramic Spindles
- Brass Handles

WARRANTY:

7 Year replacement product and parts
2 Year replacement parts and labour

Maintenance and Care

- Do not use harsh detergents or products that contain chloride & halides.
- Do not use abrasive, cream or citrus based cleaners or hydrochloric acid.
- Surface should be cleaned only with a mild detergent that must be rinsed off.
- It is suggested to only clean with warm water and a soft cloth.
- Damage caused by the wrong cleaning methods used will void warranty.

Coloured Finish:

2 Years Matt Black. **5 Years** other finishes replacement product & parts.

It is highly recommended an application of sealant at the base of the mixer to ensure a water tight seal.